



# Electric Vehicle Lab

Release v2.0 | 03<sup>rd</sup> March 2023

# Contents



List of Components



Dimensions



Component Placement



Pictures

# List of Components

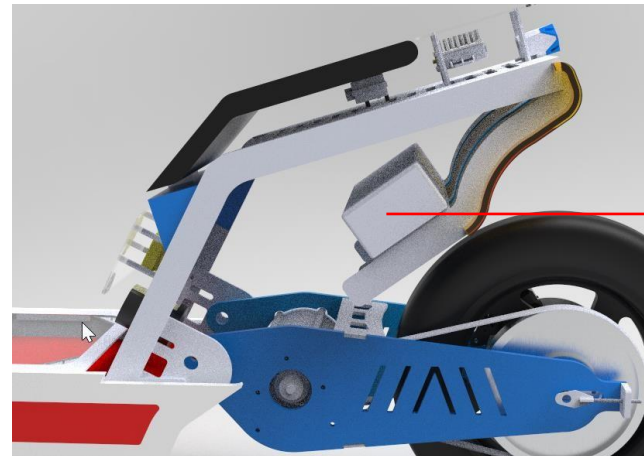
---

#	Functional Name	Placement / Remark
1	Keyless access (Smart Key)	ECU – Front Mask, Key FOB – Front mask – Rear side, (key holder) Seat Actuator – Beneath the rider seat, Glove Box actuator – Glove box Start–stop switch – Front mask – Rear side Steering column Lock – Front mask – Rear side
2	Telematics	Front mask
3	Wiring harness	To be discussed
4	Battery pack	Middle Body – Rider foot rest
5	DC–DC convertor	DC–DC Converter – Beneath the rider seat (open area)
6	Digital cluster	Head light enclosure
7	Side stand sensor	Modification in progress
8	Temperature sensor	Front Mask
9	Angular sensor	Fork lower region
10	TPMS	Inside the tyre
11	Speed sensor	Front Wheel, with slotted disk
12	ADAS	Front mask, rear seat
13	Tilt Sensor	Middle Body – Rider foot rest
14	Motor Controller	Beneath rider seat – Hidden
15	Battery Charger	Charging point is added but charger is suggested to be kept outside the body. (open for discussion)

## Notes / Points of discussion

---

1. Wiring harness : Currently, the wiring harness is hidden, we tried exposing it but it was looking cluttered and overpowering all other components. Either small portion of harness can be exposed via acrylic window or the complete harness copy can be placed adjacent to the vehicle in display area.
2. Motor Controller: The size of the motor controller is approximately 250x100x60mm, currently it is kept hidden beneath the driver seat, if exposed it will consume maximum space and attention.



Motor  
Controller

3. Battery Charger: Charing point is added to current design but we could not think of a way to gracefully place on the main vehicle body. It is suggested to keep charger adjacent to the vehicle.









# Dimensions

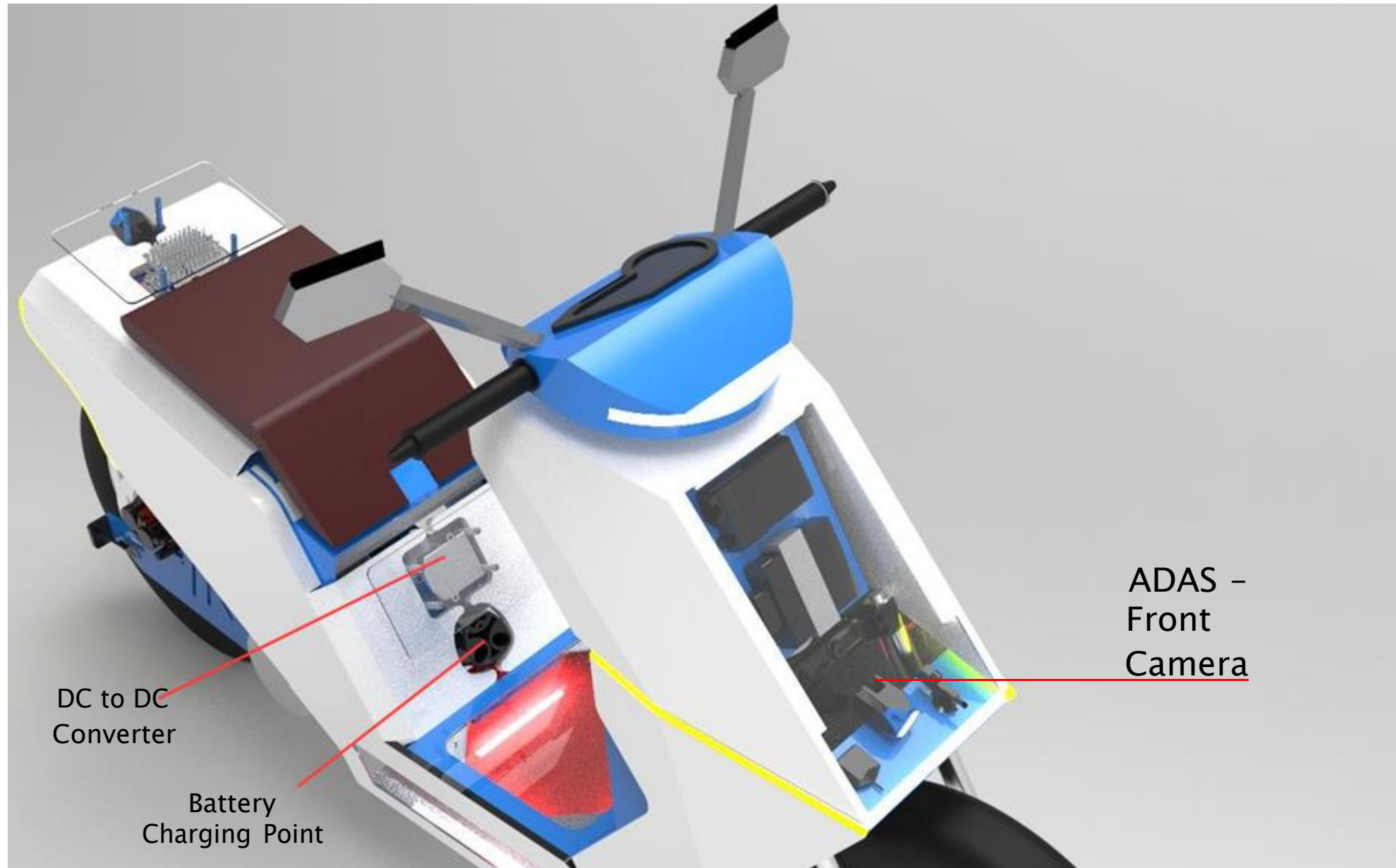
---





# Component Placement

---



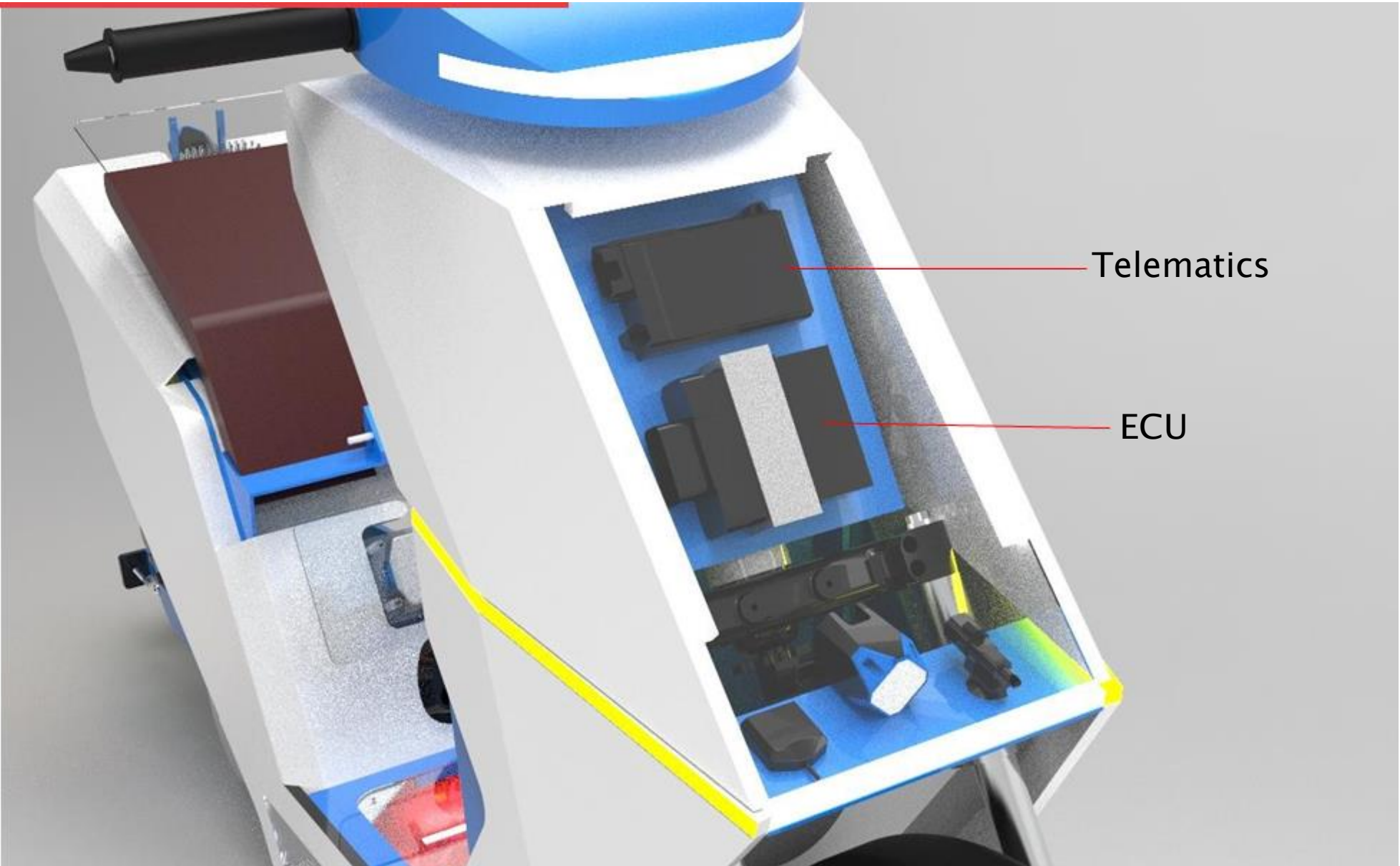
DC to DC  
Converter

Battery  
Charging Point

ADAS -  
Front  
Camera

# Component Placement

---



Telematics

ECU

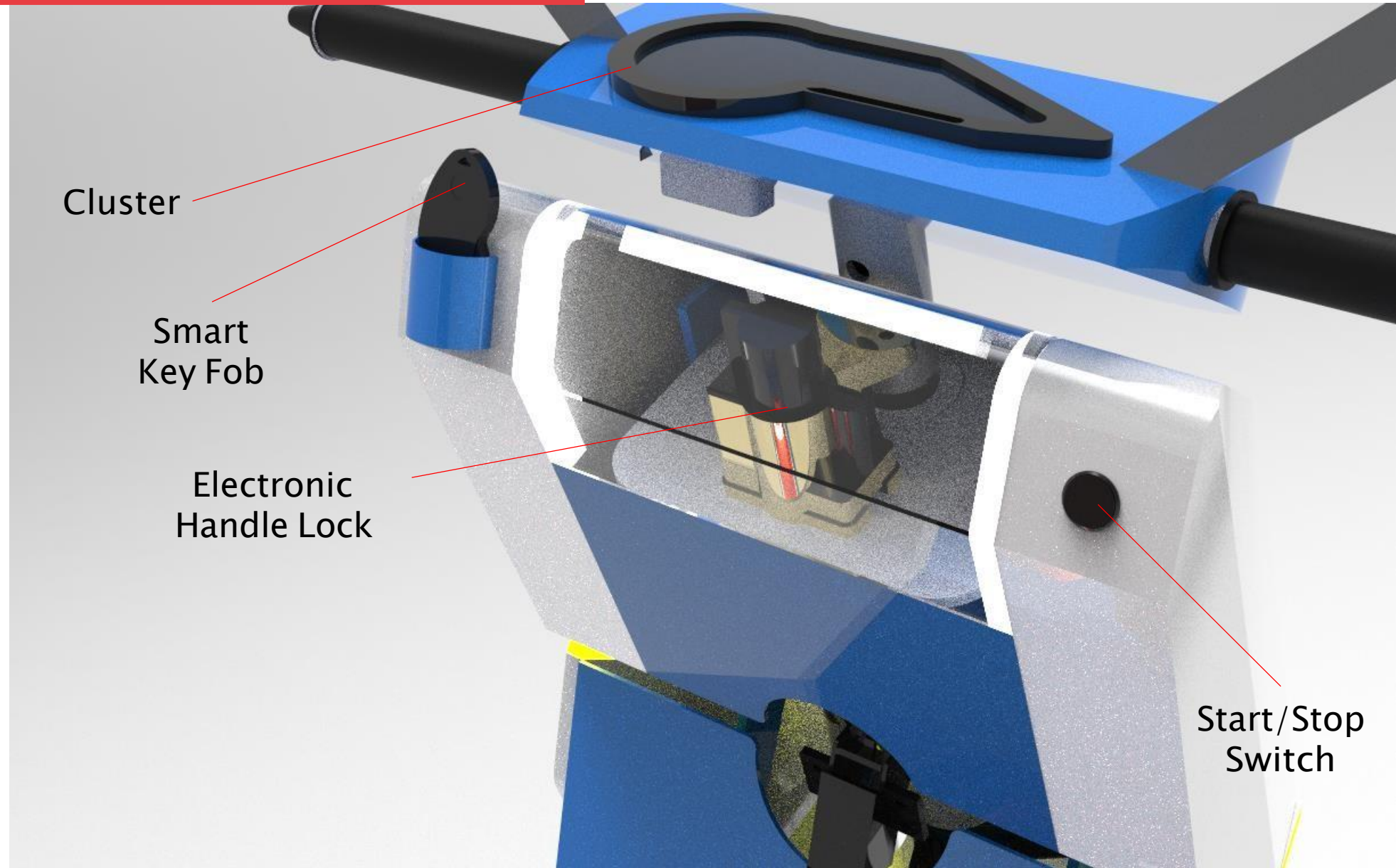
# Component Placement

---





# Component Placement



# Component Placement



Temperature  
Sensor

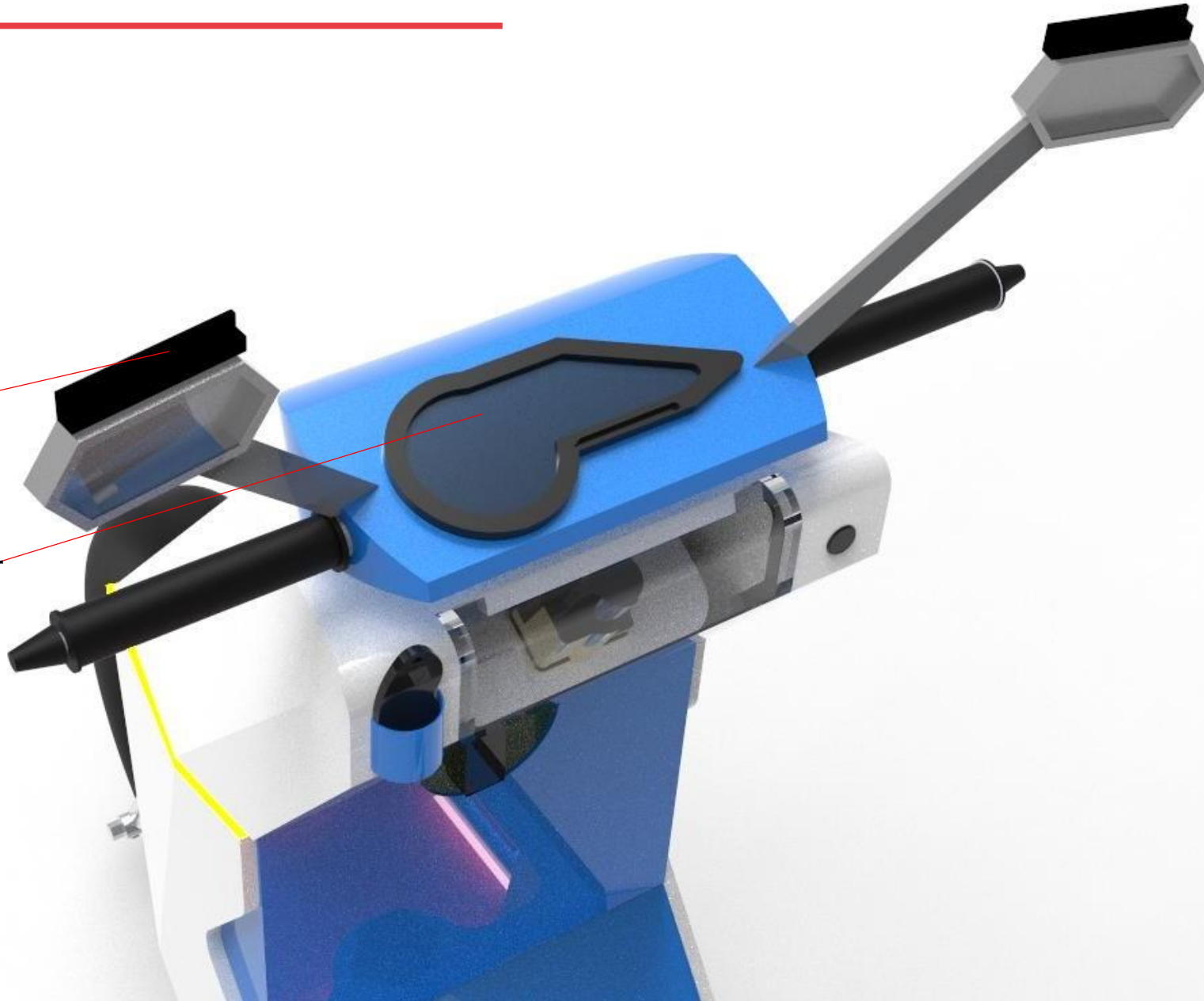
ADAS - GPS

# Component Placement

---

ADAS- Alert  
Indicator

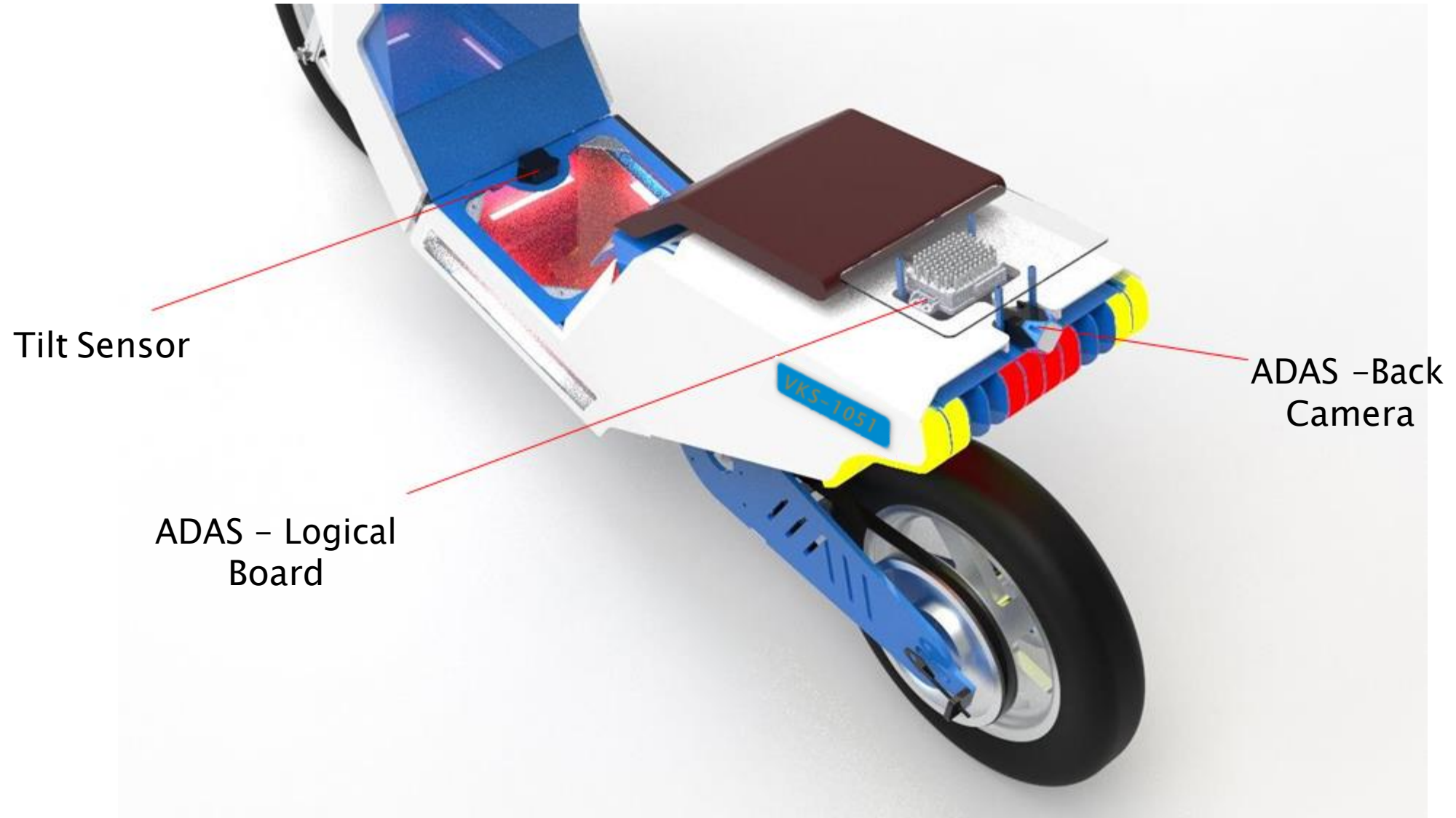
Cluster





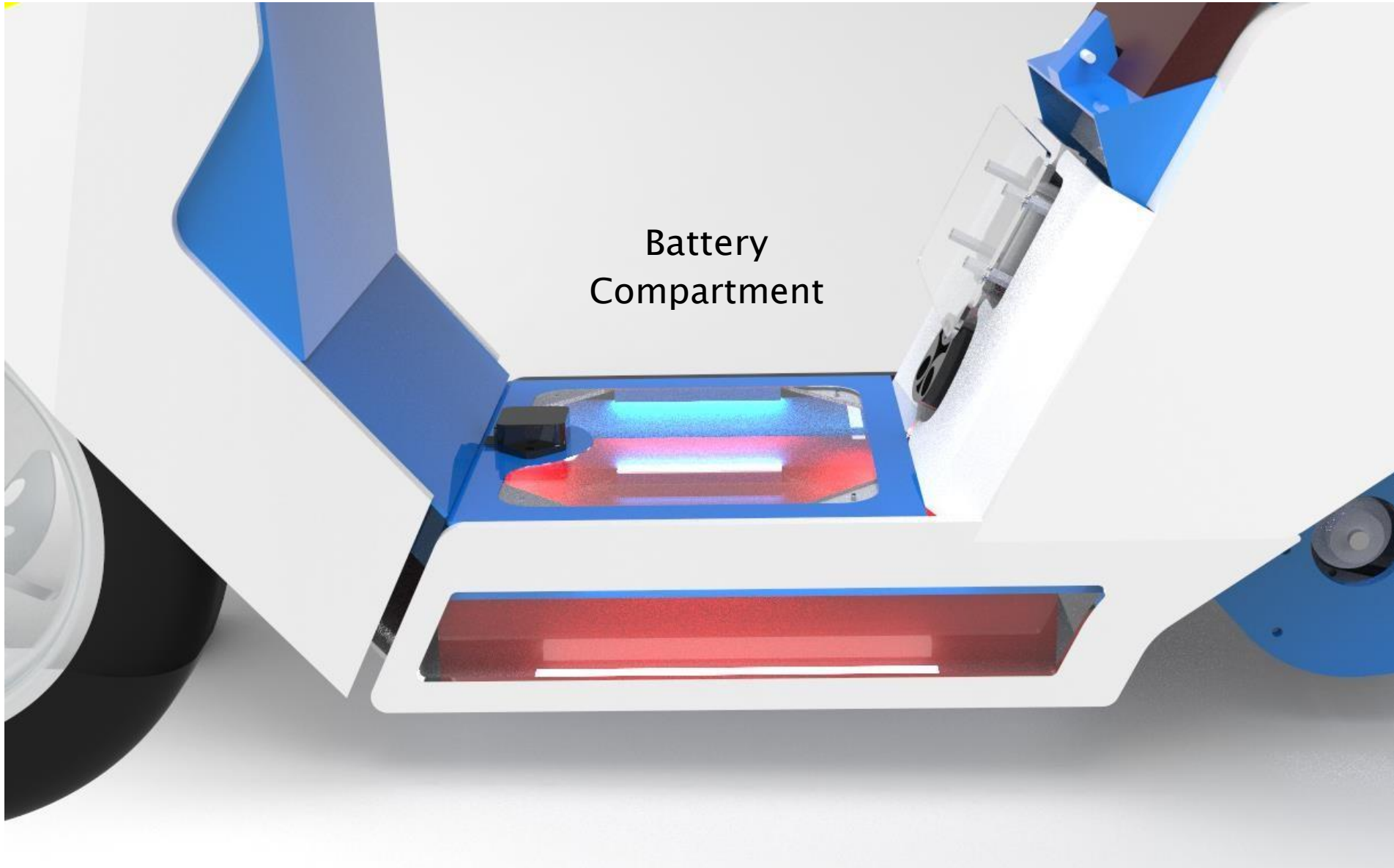
# Component Placement

---



# Component Placement

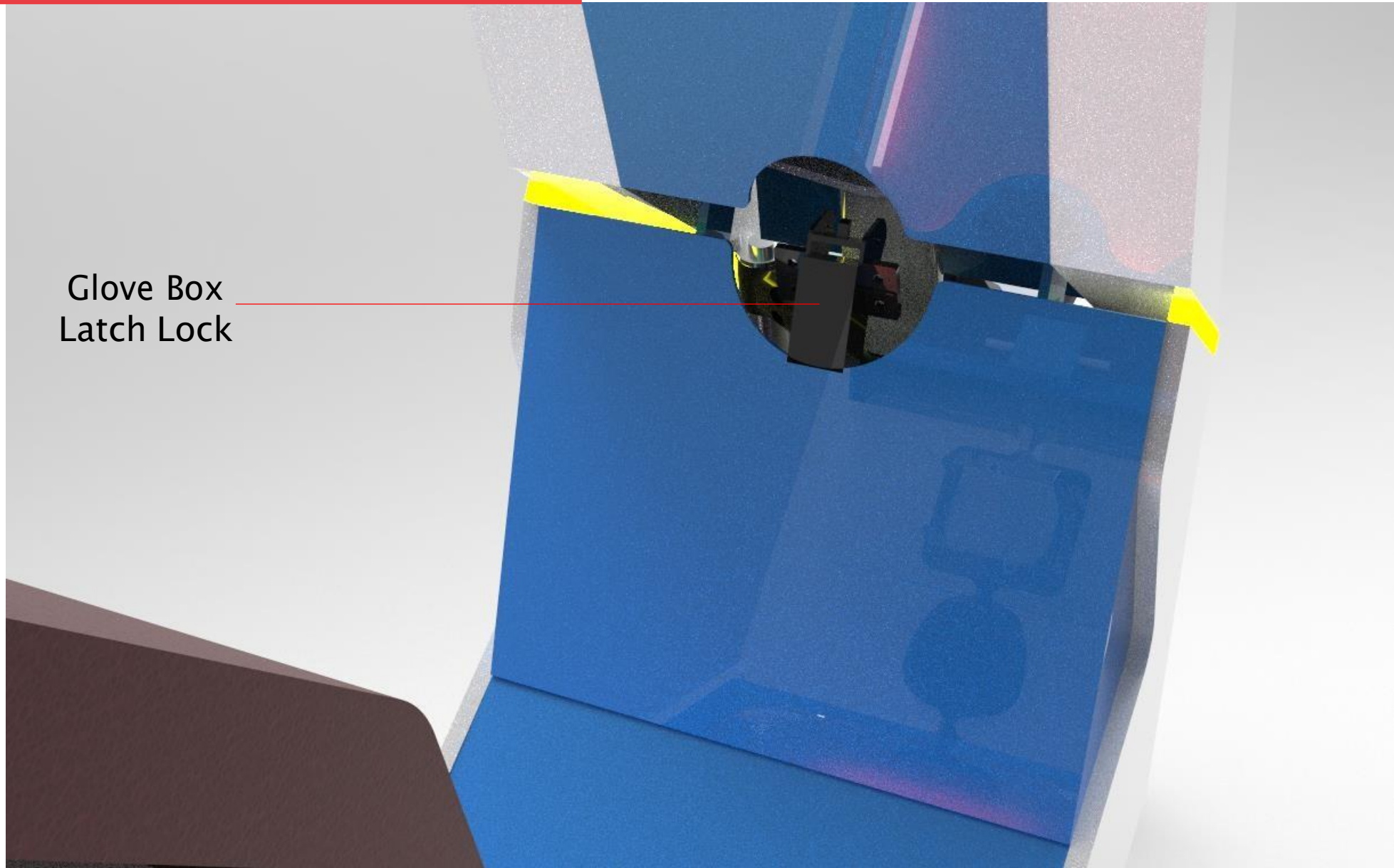
---



# Component Placement

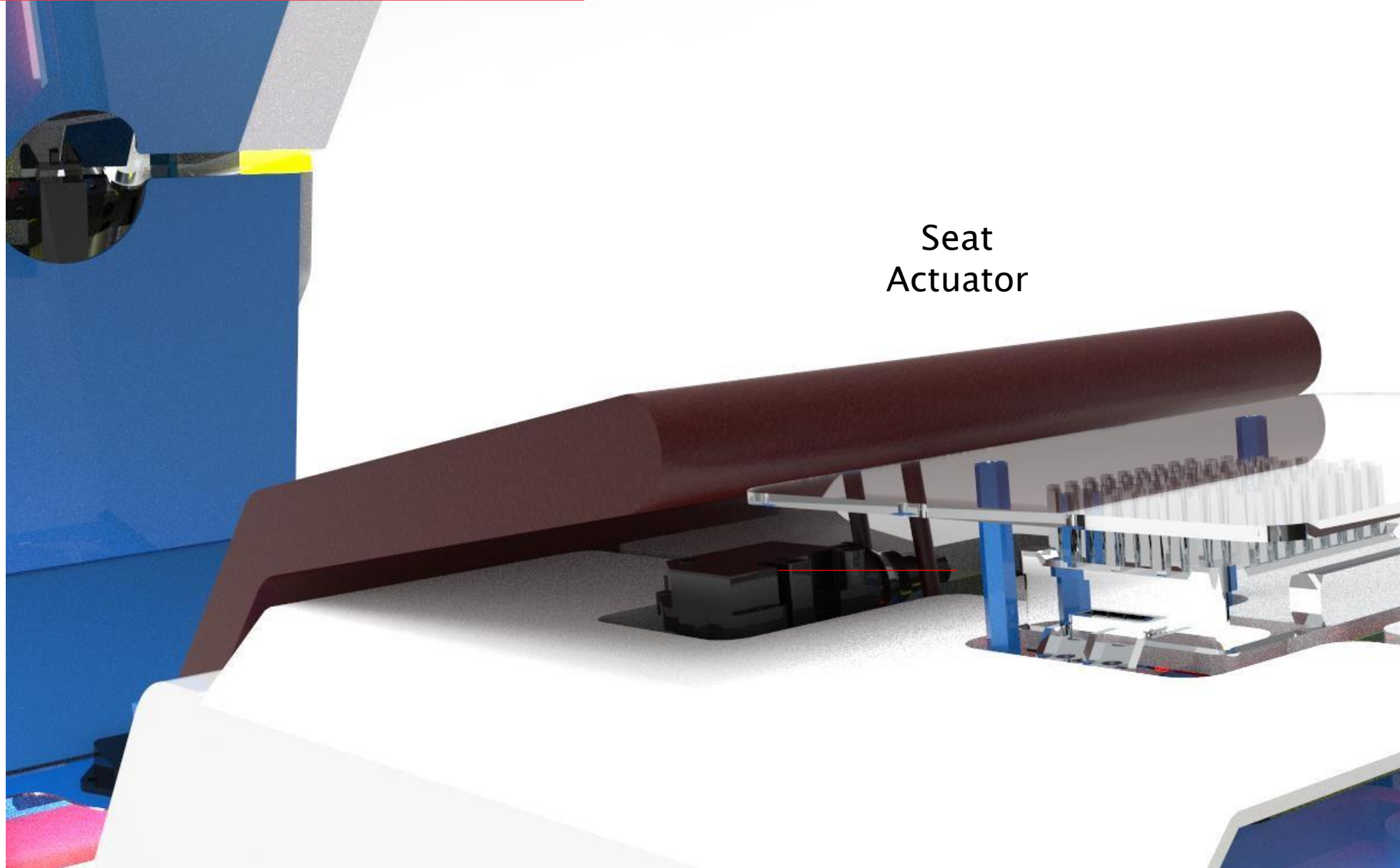
---

Glove Box  
Latch Lock



# Component Placement

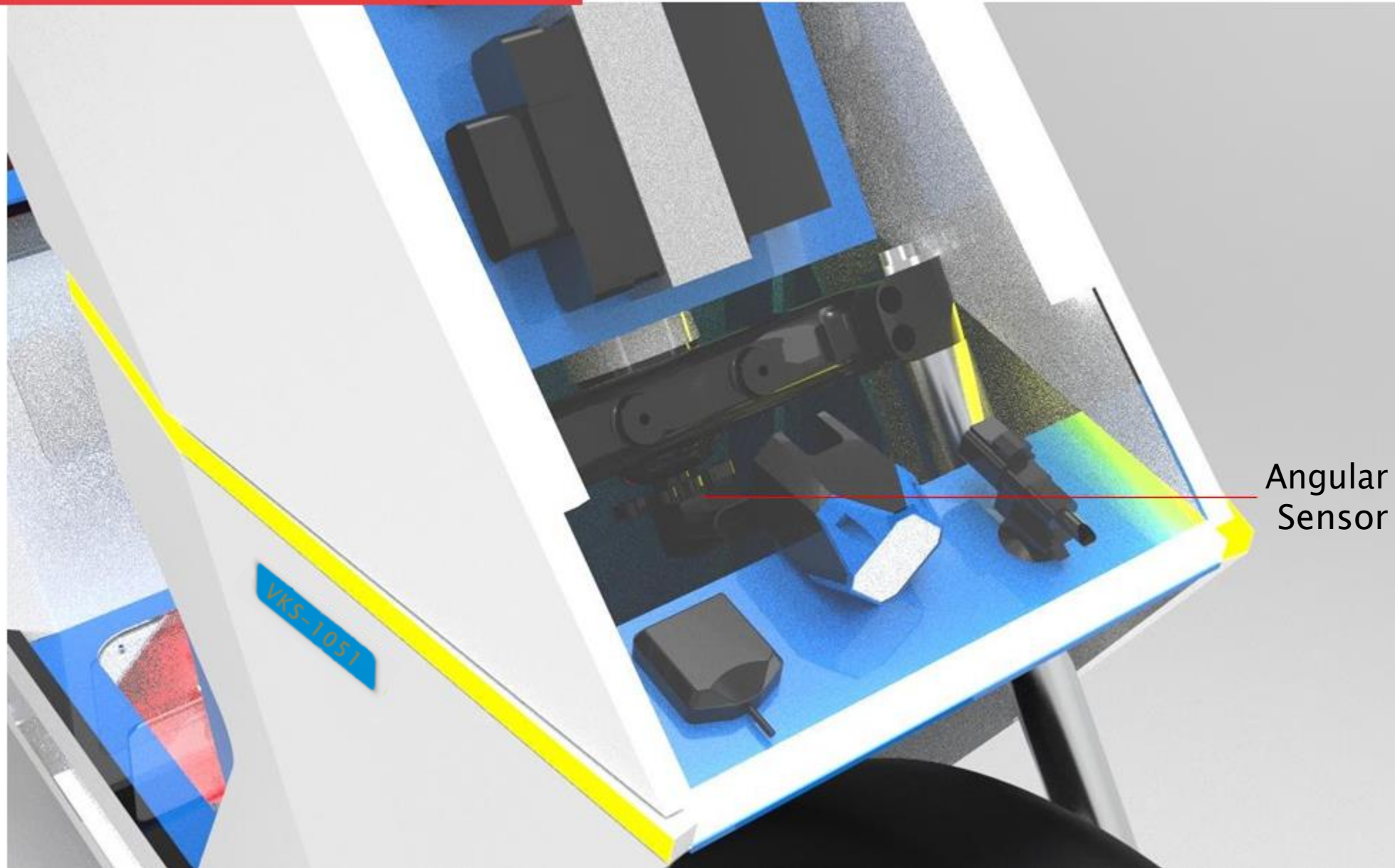
---



Seat  
Actuator



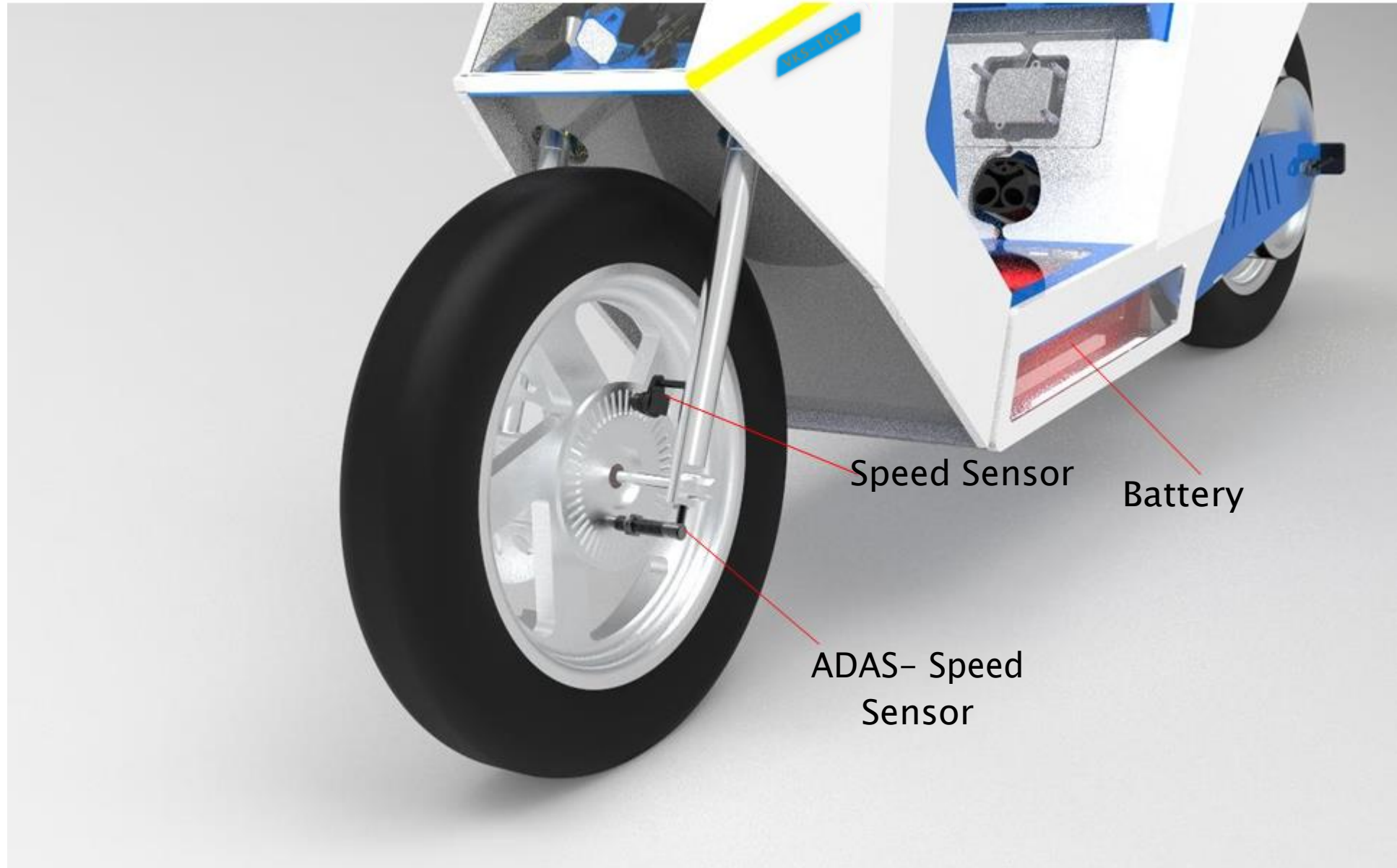
# Component Placement



Angular  
Sensor

# Component Placement

---





# Pictures

---



# Pictures





# Pictures

---



# THANK YOU!



+91 8725829339, 9910307503  
anteknologies@gmail.com  
info@anteknologies.com